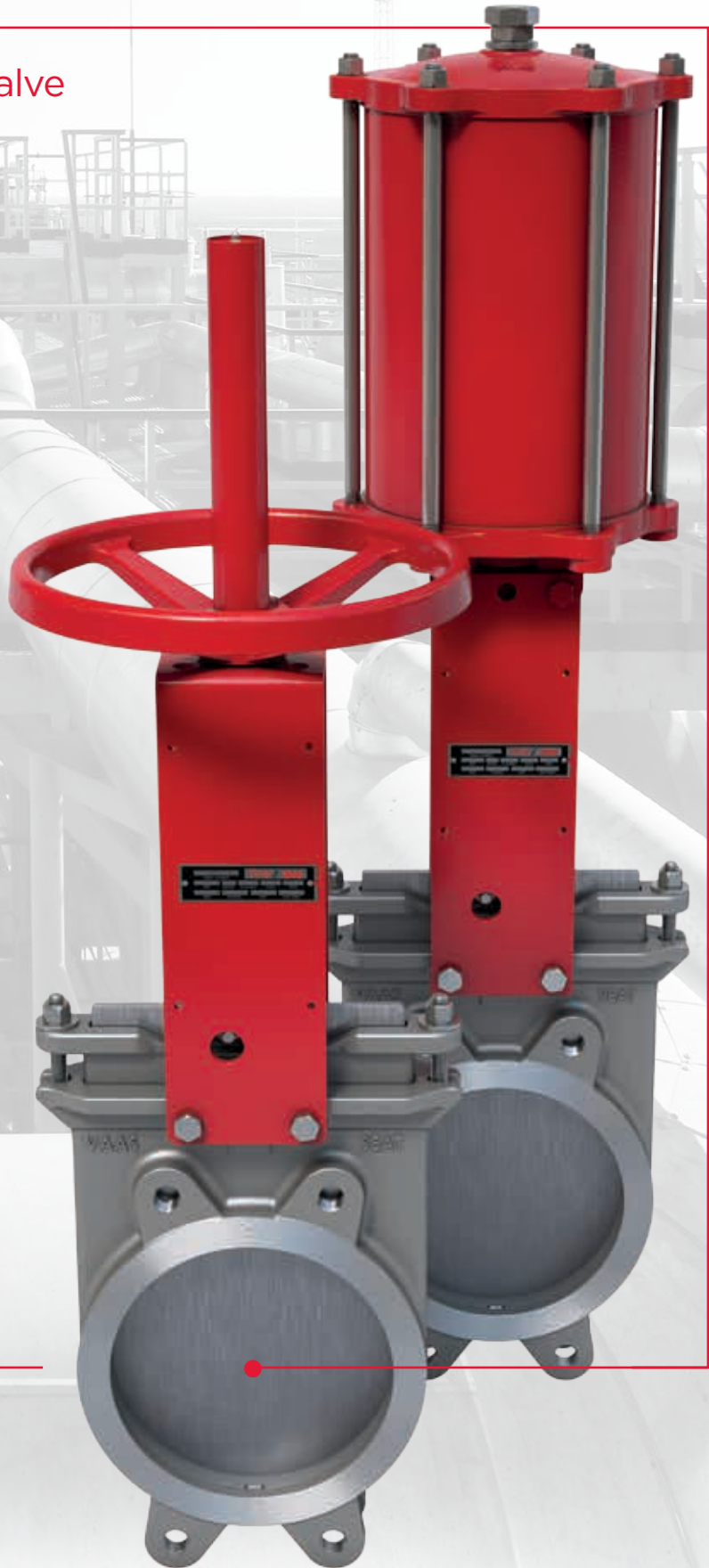


Series 931

Unidirectional Knife Gate Valve



Bray / VAASTM

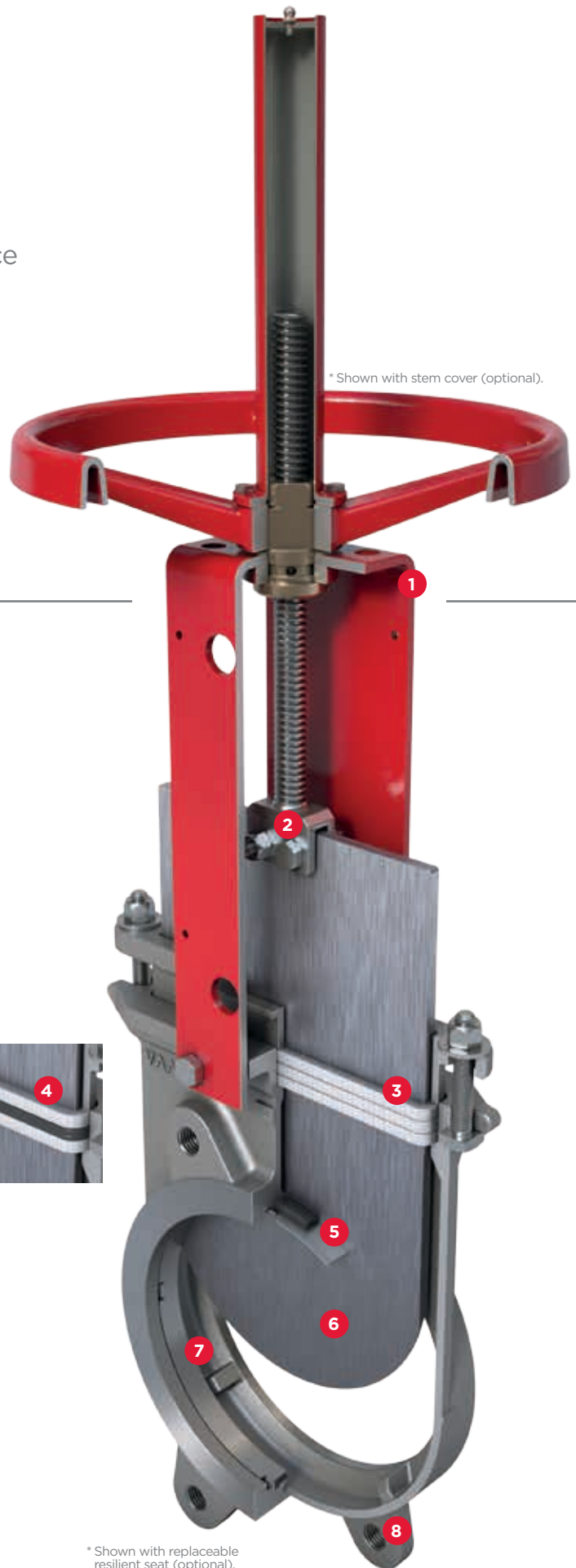
2"-12" (50-300mm) 150psi (10bar)

Series 931

Unidirectional Knife Gate Valve

The Bray/VAAS Series 931's single piece, cast body design offers rugged performance in applications ranging from general purpose to severe media handling in an economical semi-lug body.

Available with integral metal or replaceable soft seat, the Bray/VAAS Series 931 gate valve is easily automated for on/off applications.



* Shown with stem cover (optional).

- 1 Designed for easy, quick conversion between manual and pneumatic actuation. Featuring a lubricant injection port for continuous, smooth operation with minimal maintenance.*
- 2 Clevis design and horizontal bolting stabilizes gate ensuring proper alignment.
- 3 Standard multi-layer square packing provides exceptional gland sealing.
- 4 Optional energized quad seal packing for enhanced gland sealing.
- 5 Standard integral metal seat with optional replaceable Class IV metal or Class VI resilient seats.*
- 6 Deflection resistant gate design ensures consistent alignment for industry leading durability.
- 7 Unique body design with no dead pockets enables self-draining of valve.
- 8 Semi-lugged body suitable for all mounting orientations including dead-end service.



* Shown with replaceable resilient seat (optional).

Standard Construction

Body	Gate	Seat	Stem	Gland	Packing	Topworks
CF8	304	Integral	304	304	PTFE	Steel
CF8M	316	Integral	304	304	PTFE	Steel
WCB	304	Integral	304	WCB	PTFE	Steel

Actuator Options*

Bevel Gear
Pneumatic
Hydraulic
Electric

*Direct Mounted Handwheel (Standard).

Body Options

Carbon Steel (WCB)
CF8 Stainless Steel
CF8M Stainless Steel
CF3M Stainless Steel
SAF 2205 Duplex
SAF 2507 Duplex

Gate Options

304, 316, 317 Stainless Steel
SAF 2507 Duplex
17-4PH Stainless Steel
Hastelloy® C
Monel®
Titanium

Seat Options

Replaceable Metal Seat
Buna-N -35°-194°F/-37°-90°C
EPDM -65°-248°F/-54°-120°C
Viton® -15°-392°F/-26°-200°C
PTFE -235°-450°F/-148°-232°C

Packing Options

PTFE	232°C/450°F
Elastomer	90°C/194°F
Quad Seal*	200°C/392°F
Copper Wiper	500°C/932°F
Graphite	1000°C/1832°F

*PTFE with Buna-N or Viton®.

Additional material options may be available upon request. Consult factory for availability.

Specifications & Standards

Size Range	2"-12" (50-300mm)
Pressure Rating	150psi (10bar)
Body Style	Single piece, Wafer, Semi-lug

Design	MSS SP-81
Testing	MSS SP-81
Face-to-face	MSS SP-81
Certification	CE/PED, Canadian CRN
Drilling*	ASME B16.5 CL150, ASME B16.47 CL150

*Additional drilling options available. Consult factory for availability.

Dimensions

In. (mm)	A	B-PCD	R/FØC	D	E	F	G	ØH	I	ØJ
2 (50)	1.88 (48)	4.75 (121)	3.62 (92)	12.99 (330)	14.17 (360)	18.11 (460)	--	7.99 (203)	--	--
2.5 (65)	2.00 (51)	5.50 (140)	4.65 (118)	15.55 (395)	17.72 (450)	23.03 (585)	--	7.99 (203)	--	--
3 (80)	2.00 (51)	6.00 (153)	5.00 (127)	15.55 (395)	17.72 (450)	23.03 (585)	--	7.99 (203)	--	--
4 (100)	2.00 (51)	7.50 (191)	6.18 (157)	17.52 (445)	20.67 (525)	25.59 (650)	--	7.99 (203)	--	--
5 (125)	2.25 (57)	8.50 (216)	7.32 (186)	18.70 (475)	23.62 (600)	28.54 (725)	--	10.00 (254)	--	--
6 (150)	2.25 (57)	9.50 (242)	8.50 (216)	22.25 (565)	25.98 (660)	31.88 (810)	--	10.00 (254)	--	--
8 (200)	2.75 (70)	11.75 (299)	10.63 (270)	25.00 (635)	31.89 (810)	38.97 (990)	38.77 (985)	11.75 (299)	9.68 (246)	19.68 (500)
10 (250)	2.75 (70)	14.25 (362)	12.76 (324)	27.56 (700)	37.40 (950)	44.48 (1130)	45.27 (1150)	15.98 (406)	9.68 (246)	19.68 (500)
12 (300)	3.00 (76)	17.00 (432)	14.76 (375)	30.51 (775)	42.72 (1085)	51.37 (1305)	52.16 (1325)	15.98 (406)	9.68 (246)	19.68 (500)

Dimensions are approximate and subject to change. Consult factory for certified drawings.

Weights

Size (In.)	2	3	4	5	6	8	10	12
Weight (lbs)	20	29	33	44	48	79	125	165
Size (mm)	50	80	100	125	150	200	250	300
Weight (kgs)	9	13	15	22	22	36	57	75

*Approximate weights shown with direct mounted handwheel, consult factory for additional configurations.

